

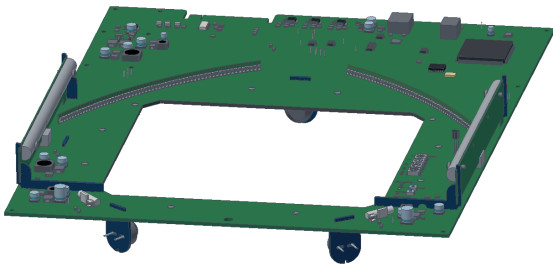
How to change the integrated target illumination of LS10 LASERSCORE® or HS10 HYBRIDSCORE®

The target print must be removed in advance.

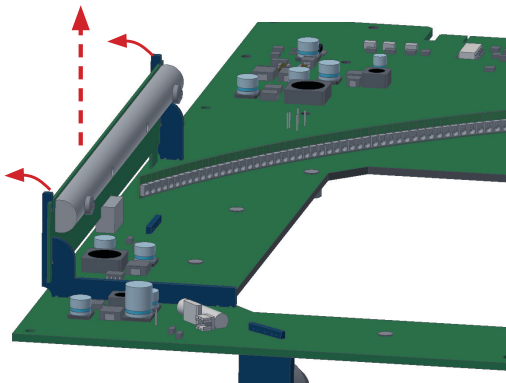
For target LS10 LASERSCORE®: see manual for installation B-INWA-LS10G2-en, page 14

For target HS10 HYBRIDSCORE®: see manual for installation B-INWA-HS10-en, page 16

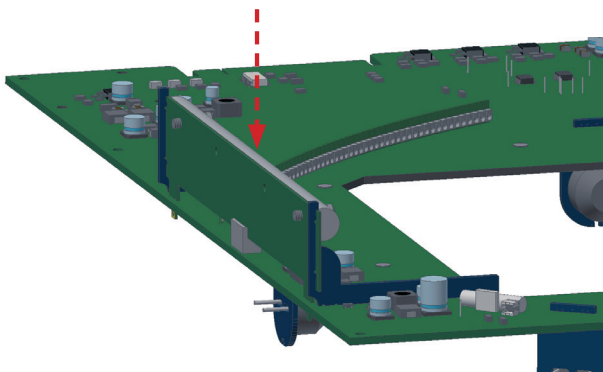
HS10 HYBRIDSCORE®



Total view of target print incl. target illumination.

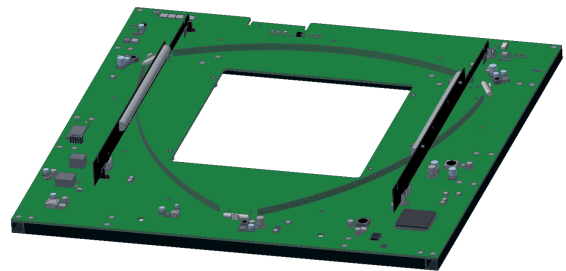


Press both plastic holders above outwards, then pull and remove the light module.

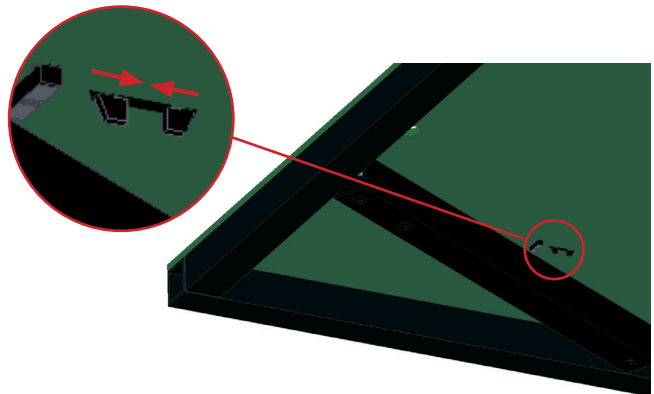


Insert new light module carefully analogous to the removed one. Ensure that it is fitted into place correctly.

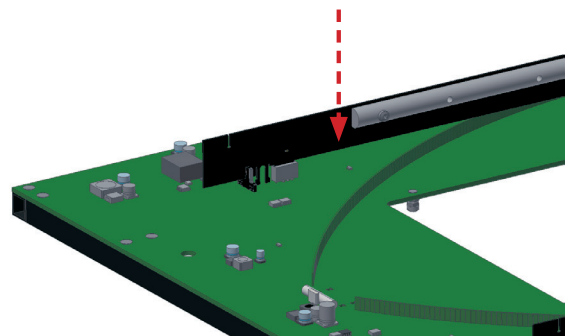
LS10 LASERSCORE®



Total view of target print incl. target illumination.



Turn the target print. Press together the protruding plastic tips of the light module. This makes it possible to remove it.



Insert new light module carefully analogous to the removed one. Ensure that it is fitted into place correctly.